

## SPARE TIRE RACK

### FREEDOM SPARE TIRE



Available Models:  
999T- 2 Bike

The Freedom Spare Tire Rack mounts to vehicles with factory installed spare tires. Not for use on spare tires mounted on trailers or recreational vehicles. A specific Base Plate (996A or 996B) is required in order to fit the unit to your spare tire. Once the proper Base Plate is installed, the Freedom Spare Tire Rack can be easily attached.

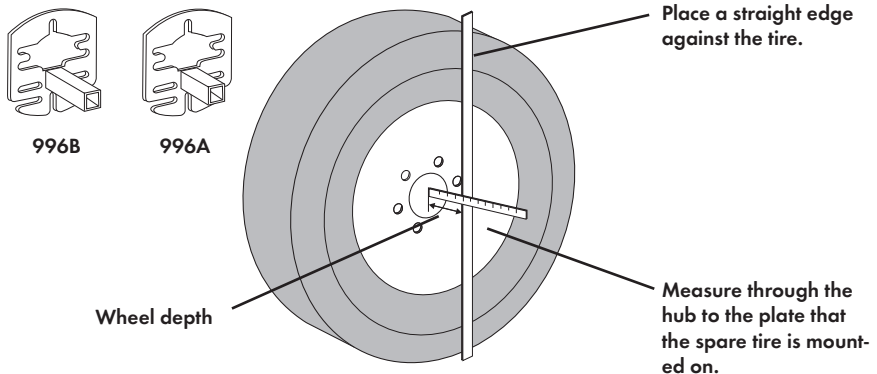
Please Note: Base Plate A is packaged with the Freedom Spare Tire Rack. Base Plate B can be purchased separately.

### BASE PLATE 996A or 996B

#### General Rules:

1. Base Plate must be able to mount to the spare tire mounting bracket of your vehicle and extension must protrude through rim.
2. Strength of the Freedom Spare Tire Rack is dependent on the spare tire mounting bracket and rear door/ panel of the vehicle. Loads exceeding 70lbs. could result in damage to these parts. Off-road use or speeds in excess of 65 mph are not recommended.

The choice between Base Plate A or B is simply determined by measuring the wheel of your vehicle:



If the wheel depth (distance from spare tire mounting plate to outside of tire) is between 5" and 7-3/4" you must use Base Plate 996B. If the wheel depth is between 2-1/2" and 5-1/4", use Base Plate 996A. Measure through the hub to the plate that the spare tire is mounted on.