

**Note:** See back page for Hatch Hugger vehicle compatibility list.

THE HATCH HUGGER IS INTENDED FOR:

- 1) Vehicles with glass or plastic hinge lines that are currently not recommended for Graber or Saris carriers with standard S-hooks.
- 2) Vehicles with narrow gaps around the hatch or trunk that do not permit placement of standard hooks.

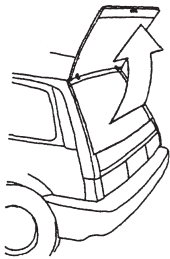
GENERAL COMPATIBILITY REQUIREMENTS:

- ✓ Confirm mounting strap can be threaded between hatch (glass) and vehicle body.
- ✓ Confirm that tension on the strap will not deform or damage vehicle molding or trim.
- ✓ Be certain mounting strap is not rubbing against any sharp metal edges.
- ✓ Hatch must have internal metal support frame.

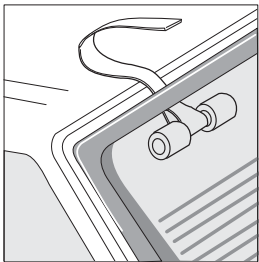
**S-hook strap replacement / application:**

**1** Remove S-hook straps from buckles.

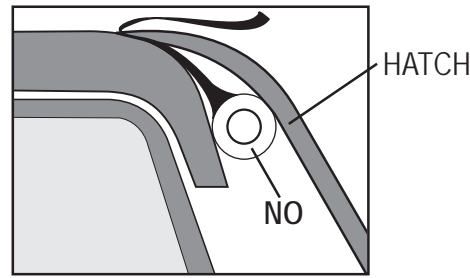
**2** Open vehicle trunk or hatch.



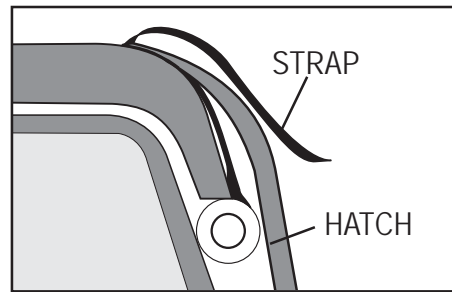
**3** Insert end of Hatch Hugger strap between hatch and vehicle's body.



**4** Be sure there is not interference when hatch/trunk is closed.

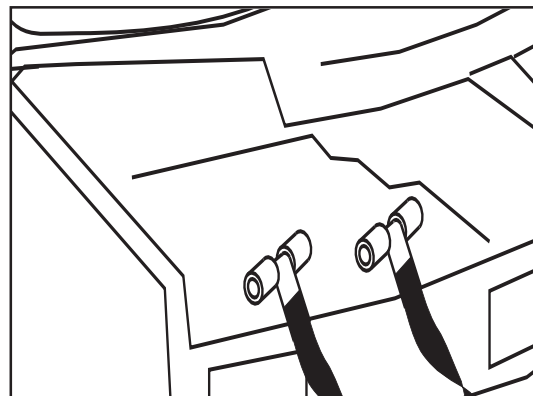


**5** Close hatch or trunk.  
Pull mounting strap to seat Hatch Hugger in place.



**Narrow J-hook strap replacement / application:**

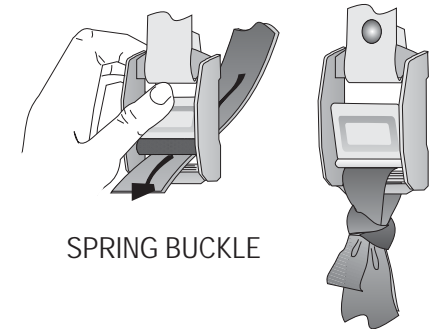
- Remove narrow J-hook straps from buckles.
- Open vehicle trunk or hatch.
- Place Hatch Hugger inside trunk, close trunk, and pull strap until hugger braces against trunk wall.



**6** Thread Hatch Hugger straps to carrier buckles.

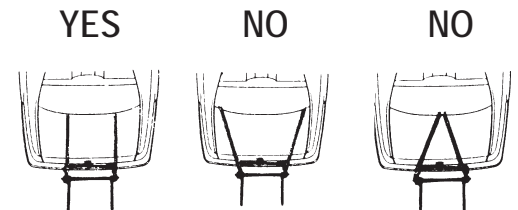


3 BAR BUCKLE



SPRING BUCKLE

**7** Be sure to keep straps in line with rear leg to prevent carrier from shifting.



**8** Continue mounting carrier as instructed in your owner's manual.

## VEHICLES COMPATIBLE WITH THE HATCH HUGGER

MAKE	MODEL	YEARS
ACURA	Integra Hatch	86-00
BMW	3 Series Hatch	95-99
BMW	M-Coupe	99
CHEVROLET	Astro Van	85-00
CHEVROLET	Suburban	92-99
CHEVROLET	Tahoe	95-99
DAEWOO	Lanos 2DR Hatch	99-00
DAEWOO	Nubira 4DR Hatch	99-00
DODGE	Shadow	87-94
DODGE	Stealth	91-96
EAGLE	Talon	89-94
EAGLE	Talon	95-98
GEO	Storm Coupe	90-93
GMC	Suburban	92-99
GMC	Yukon	92-99
HONDA	Civic Hatch	84-87
HONDA	CRX	88-91
HONDA	Odyssey	95-00
ISUZU	Impulse Coupe	90-93
ISUZU	Oasis	96-99
MERCEDES	M-Class SUV	98-99
MITSUBISHI	3000GT	91-00
MITSUBISHI	Eclipse	89-94
MITSUBISHI	Eclipse	95-00
NISSAN/DATSUN	240SX Hatch	89-93
NISSAN/DATSUN	300ZX	84-96
NISSAN/DATSUN	Sentra Hatch	87-89
PLYMOUTH	Sundance/Duster	87-94
PONTIAC	Firebird/TransAm	93-00
PONTIAC	Sunfire Coupe	95-00
SAAB	9000 Hatch	91-98
SUBARU	Impreza Wagon	93-00

*Note: The above list is for S-hook replacement compatibility only. See the Graber for guide for narrow J-hook recommendations.*

## CAUTIONS:

- 1) All requirements for compatibility/ fit as stated in the current Saris Vehicle/ Carrier Compatibility Guide must be followed.
- 2) Read and follow instructions carefully. Save owner's manual for future reference or parts information.
- 3) Replace any mounting strap at first sign of wear. Replacement parts are available for purchase through your local Saris dealer or call (800) 783-7257.
- 4) Straps must be in line with rear leg to prevent shifting.
- 5) Never place more than two bicycles (totaling 70 lbs.) on any carrier while using the Hatch Hugger.
- 6) Secure bicycles to carrier with additional straps.
- 7) Do not open rear deck/hatch with carrier installed.
- 8) Follow all instructions and cautions included with your carrier.
- 9) It's the end users responsibility to ensure that use of this product meets all local and state laws.

### WARNING AND DISCLAIMER:

This carrier has been designed to carry bicycles on specific vehicles. Before installation, user must read and follow enclosed instructions. Fit recommendations are based on vehicle's standard features; optional features may affect the fit recommendations. User must attach carrier correctly to the vehicle, check its attachment before each use, and inspect carrier parts for wear. Carrier's attachment to the vehicle is critical and beyond the control of the manufacturer. Manufacturer and seller expressly disclaim any and all liability for personal injury, property damage or loss, whether direct, indirect, or incidental, resulting from the incorrect attachment, improper use, inadequate maintenance, or neglect of this carrier.

### WARRANTY:

We warrant this product to the first consumer to be free from defect in material and workmanship for a period of one year from date of purchase. (Please retain your sales slip for your records.) Any product or part thereof found to be defective within that period will be replaced without charge provided that: (1) the product was not misused; (2) no alterations or modifications were made; (3) its failure resulted from a defect in material or workmanship and not from normal wear expected in the use of the product; (4) the product or part is delivered, freight prepaid, to Saris Cycling Group. Manufacturers only obligation shall be to replace such products or parts proved to be defective.

5253 Verona Road  
Madison, WI 53711  
(800) 783-7257

www.saris.com

10098 RevE 05/05

Made in U.S.A.



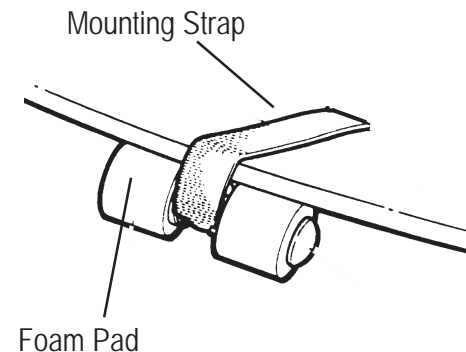
SIMPLY BUILT TO LAST. GUARANTEED.\*

**FINALLY – A  
COMPANY THAT  
LOVES BIKES AS  
MUCH AS YOU DO.**

Chances are, your bikes are just like ours - your most valued possessions. And if it has the Saris name on it, nothing we build goes out the door unless it's worth putting those possessions on. Call it obsessive. Call it eccentric. We just chalk it up to caring a hell of a lot about creating the last rack you'll ever need.

## The Hatch Hugger

Model # 3035 - owner's manual



Please READ and FOLLOW all instructions carefully.