



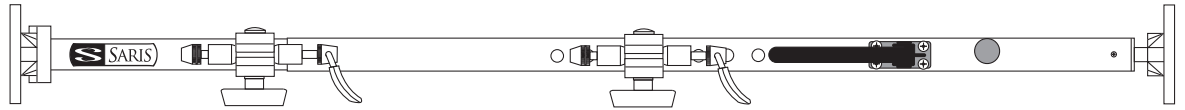
SIMPLY BUILT TO LAST. GUARANTEED.

FINALLY - A COMPANY THAT LOVES BIKES AS MUCH AS YOU DO.

Chances are, your bikes are just like ours - your most valued possessions. And if it has the Saris name on it, nothing we build goes out the door unless it's worth putting those possessions on. Call it obsessive. Call it eccentric. We just chalk it up to caring a hell of a lot about creating the last rack you'll ever need.

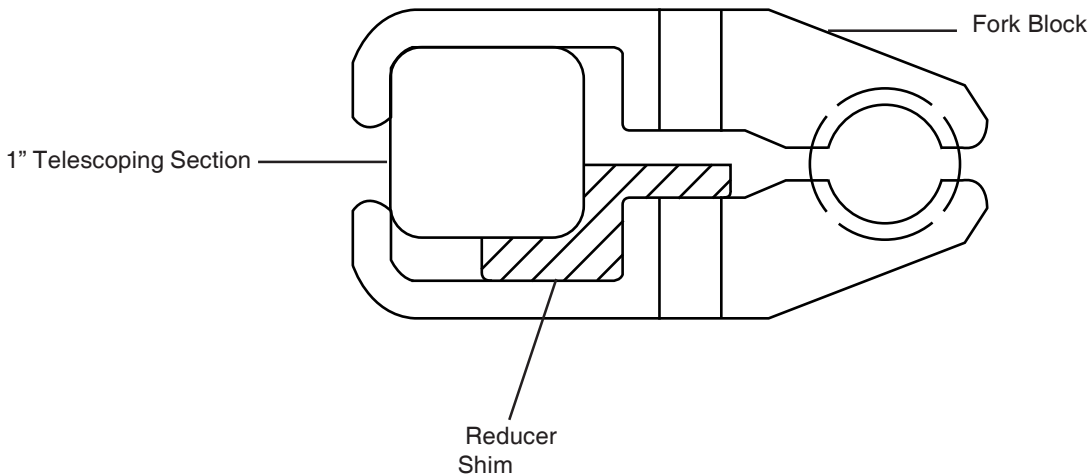
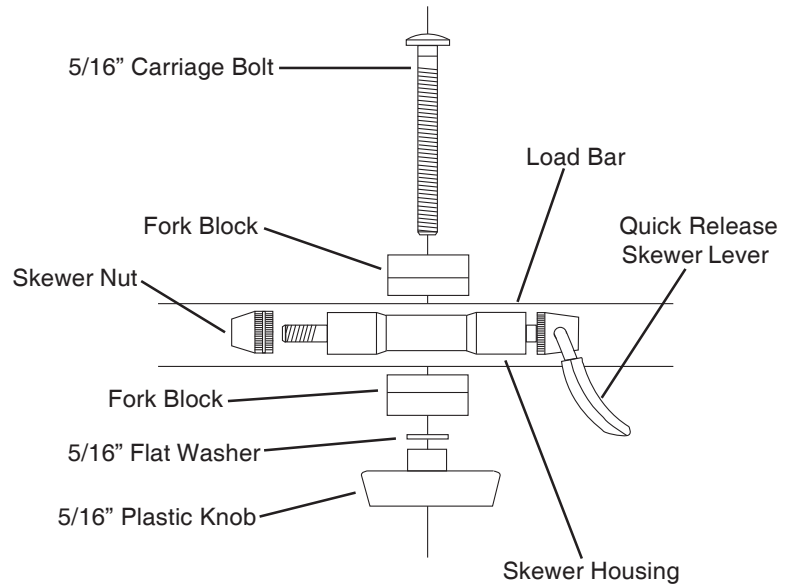
Kool Rack

Model #TRK00 - owner's manual



1-Fork Block Placement

After mounting Save-A-Load (Kool Rack), secure fork block(s) to Save-A-Load bar with 5/16" carriage bolt as shown. The enclosed carriers are not designed to be used on the telescoping section of the Save-A-Load bar, unless the enclosed 1-1/4" to 1" reducing shim is used (see illustration below). Fork blocks can be mounted so that skewer faces forward, backward or upward. Changing the orientation of the skewer prevents bike handlebars from coming in contact with each other.

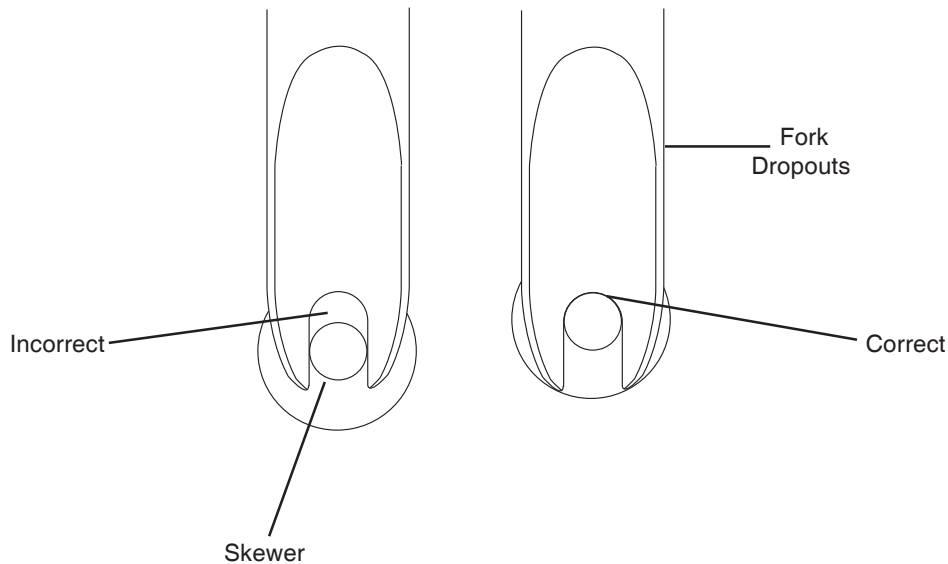
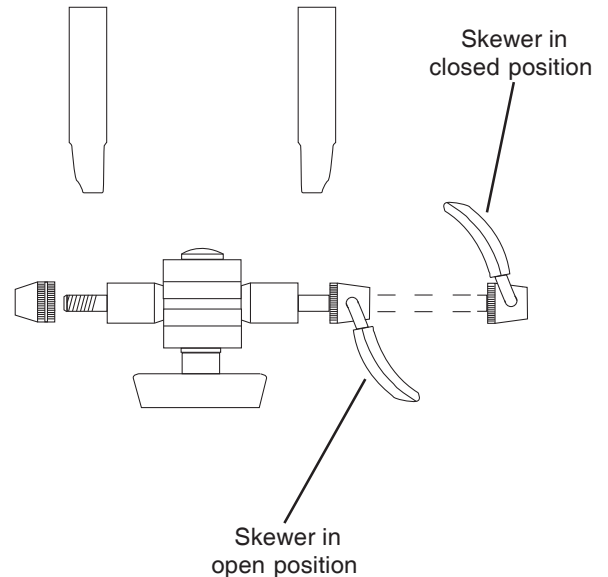


Instructions Continued
On Other Side

Step 2- Loading Bicycles

- Remove front tire.
- Move skewer handle to *open* position. Place front fork in skewer.
- Double-check that the front fork dropouts are completely seated on the ends of the skewer (see illustration below).
- Move handle to a position perpendicular to bike frame (halfway between open and closed positions). Tighten adjusting nut completely, turning clockwise until it can no longer be turned.
- Close skewer handle. Handle should point toward rear of bicycle.

Notes: 1) If handle can be easily pushed to closed position, the clamping strength is not sufficient. Return handle to perpendicular position and again tighten adjusting knob. Push handle back to closed position.
2) If clamping strength is too strong, handle will not close. Turn adjusting knob counter clockwise 1/8 turn or until handle will close.



Accessories Available:

The TRK02, Kool Rack Lock Kit-The Kool rack lock kit accessory gives added security by locking the Kool Rack into the back of your truck.

WARRANTY:

Saris Cycling Group, Inc. ("Saris") warrants that your Saris product will be free from defects in materials and workmanship for as long as you own the product. This warranty only extends to the original consumer buyer. This warranty does not apply to parts that have worn out through normal use or been damaged through misuse, abuse, neglect, accident or unauthorized modifications. **ANY IMPLIED WARRANTIES WHICH THE BUYER MAY HAVE ARE LIMITED IN DURATION TO THE TIME THAT THE ORIGINAL CONSUMER BUYER OWNS THE PRODUCT. Some states do not allow limitations on how long an implied warranty lasts, so the above limitation may not apply to you.** At its option, Saris will repair or replace, or refund the purchase price of, any Saris product which is defective or fails to conform with this warranty under normal use and service. To obtain service under this warranty, return the defective Saris Product or part, freight prepaid, to Saris at the address below. Please contact our customer service department prior to return to get a return authorization number. Repair or replacement of a defective Saris product or refund of the purchase price, shall be the sole remedy of the buyer under this warranty, and **in no event shall Saris be liable for incidental or consequential damages, losses or expenses.** Some states do not allow the exclusion or limitation of incidental or consequential damages, so the above limitation or exclusion may not apply to you. This warranty gives you specific legal rights, and you may also have other rights which vary from state to state.